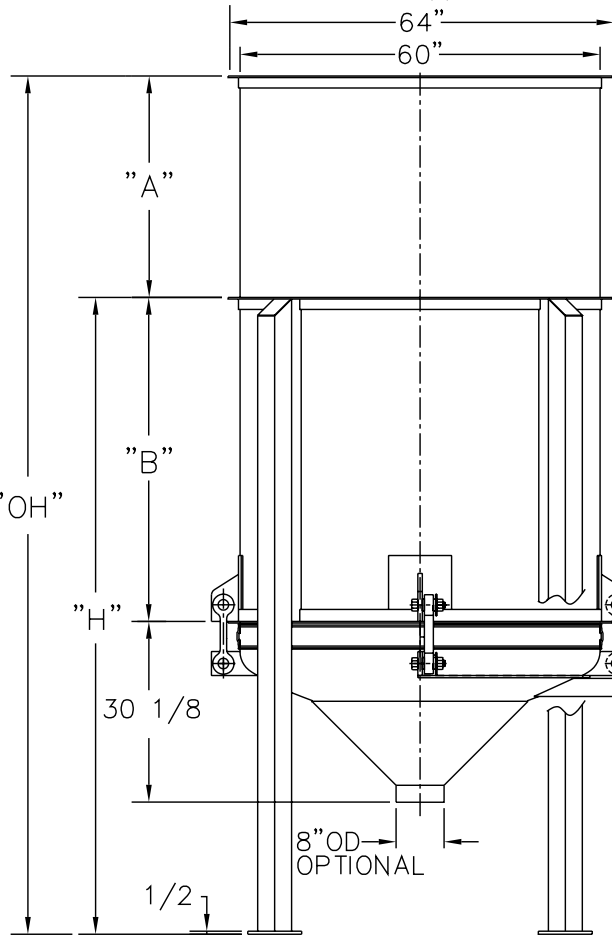
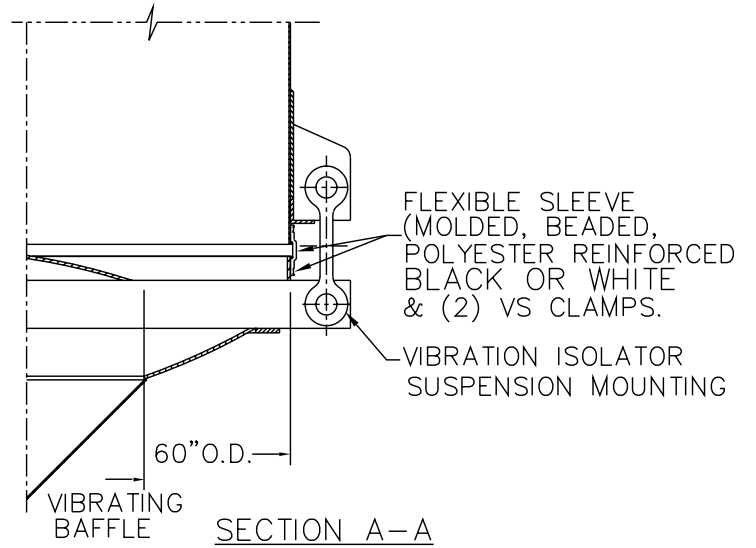
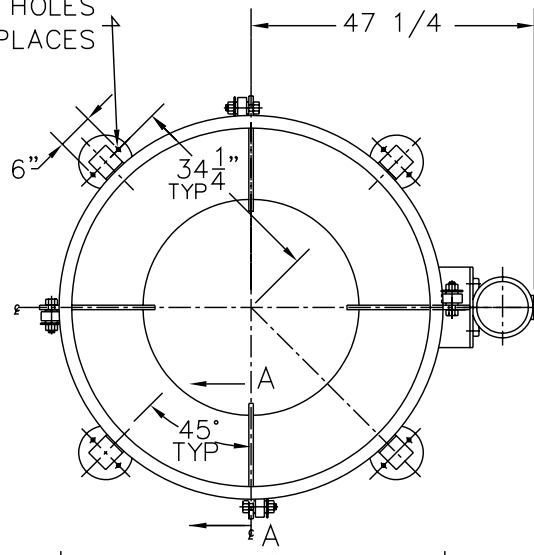


(2) 5/8 DIA. HOLES  
TYP. (4) PLACES



MODEL NO.	CAPACITY CU.FT.	"A"	"B"	"H"	"OH"
LBB 5-100	100	—	54	106 1/8	—
LBB 5-150	150	37	47	99 1/8	136 1/8
LBB 5-200	200	67	47	99 1/8	166 1/8

**NOTES:**

- 1 - CONTACT MATERIAL: CARBON STEEL, 304 STAINLESS STEEL OR 316 STL.STL.
- 2 - VIBRATOR MOTOR TO BE 1 1/2 HP, 1800 RPM
- 3 - ALL ELECTRICAL CONNECTIONS TO BE FLEXIBLE.
- 4 - ALL CONNECTIONS TO BIN ACTIVATOR TO BE FLEXIBLE.

NEOPRENE COVERED CABLE,  
(SO 14/4) APPROX. 6FT. LONG  
BY : V.S.

VIBRATOR  
SEE NOTES  
2 & 3

THE RECIPIENT OF THIS DOCUMENT AGREES NOT TO REPRODUCE, COPY, TRANSMIT OR USE THIS DOCUMENT AND/OR THE INFORMATION CONTAINED IN THIS DOCUMENT IN WHOLE OR IN PART, FOR ANY PURPOSE, EXCEPT WITH THE WRITTEN PERMISSION OF VIBRA SCREW INCORPORATED.

DO NOT SCALE PRINT		<b>Vibra Screw Incorporated</b> 755 Union Blvd. Totowa, N.J. 07812-2207	
UNLESS OTHERWISE SPECIFIED DIMENSIONS ARE IN INCHES		TITLE 5 - 100 TO 200 LIVE BOTTOM BIN CENTER FLAT STOCK CROSSMEMBER AND GREASED VIBRATOR	
TOLERANCES: .XX = ±.01 .XXX = ±.005 FRACTIONAL = ±1/32" ANGULAR = ±1/2" BREAK SHARP EDGES .005-.015 ALL SMALL FILLETS .020-.040R.		SCALE .75=12	DWG. NO. 17950-SD
CAD FILE NAME LBB\ASSY\17950_STA_5_100_200_FLATSTK		REV. NO. 1	

1	WEBSITE DRAWING	MJM			
		6/26/01			
REV.	DESCRIPTION	DWN. BY DATE	CHK. BY DATE	APP. BY DATE	ELEC. APP. DATE

DO NOT SCALE PRINT