

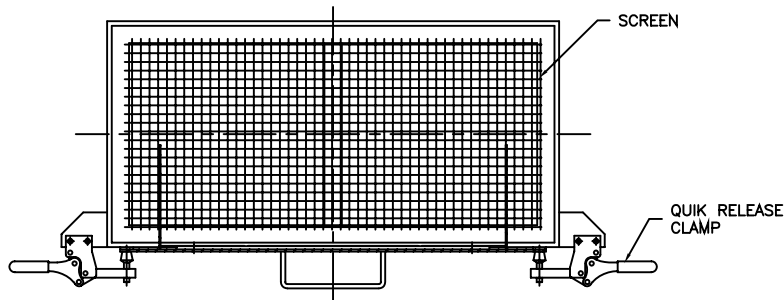
DOCUMENT NO. S104

REV. 1

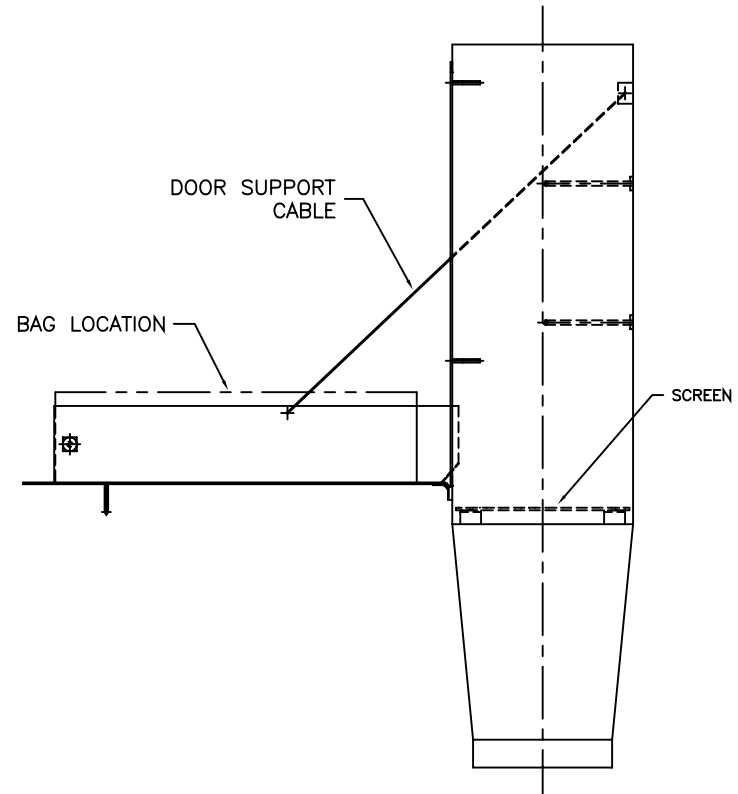
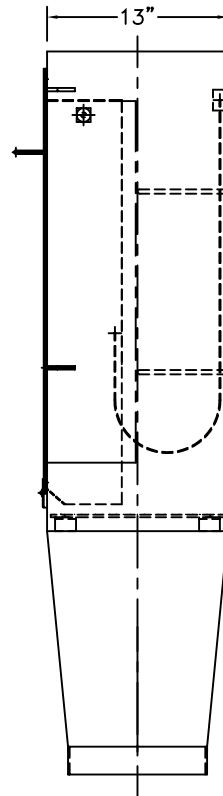
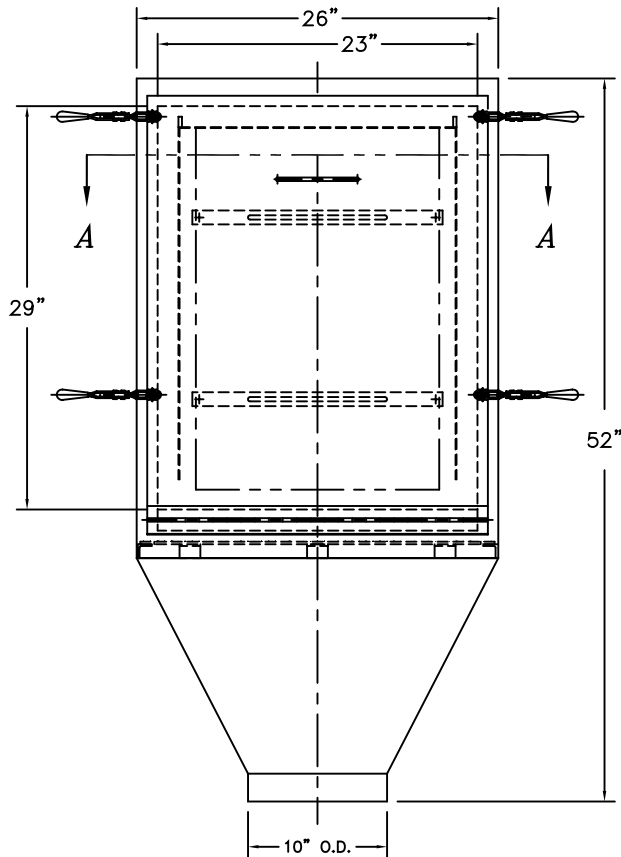
REF. DWG. # 2000138

DWN.: I.S. 1/31/2001

# VIBRA SCREW INC. ENGINEERING DATA SHEET SINGLE BAG DUMP STATION



VIEW A-A



VIBRA SCREW INCORPORATED  
755 UNION BLVD., TOTOWA N.J. 07512  
PH: (973) 256-7410 FAX: (973) 256-7567  
E-Mail: info@vibrascrew.com \* www.vibrascrew.com